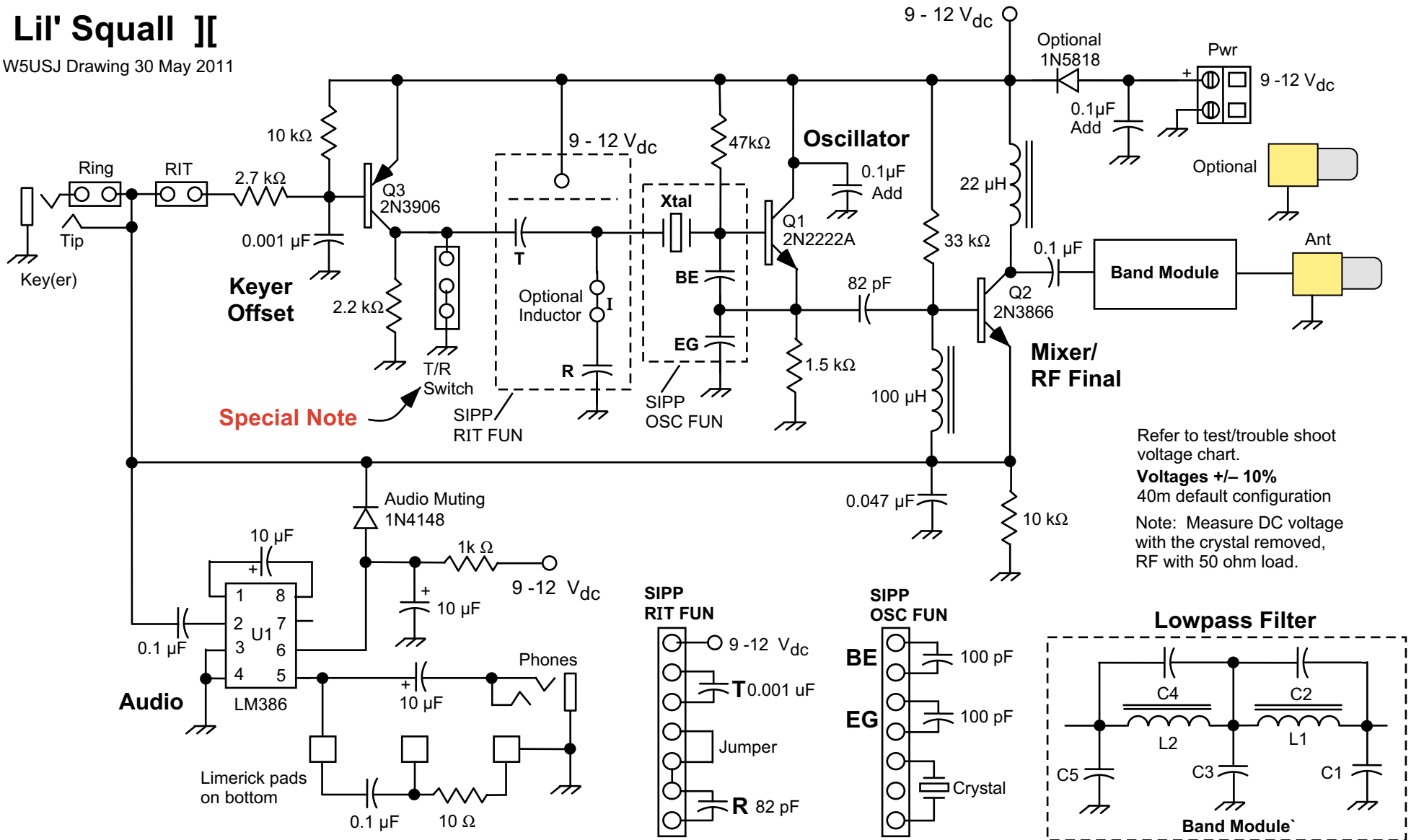


# Lil' Squall ]]

W5USJ Drawing 30 May 2011



Refer to test/trouble shoot voltage chart.  
**Voltages +/- 10%**  
 40m default configuration  
 Note: Measure DC voltage with the crystal removed, RF with 50 ohm load.

Adjust **R** value for desired offset

**5-Pole Filters:** All capacitors pF, Kemet 5% C0G or equiv.

80 C5, 680 C4, 100 C3, 1200 C2, 220 C1, 680  
**L2/L1, 2.2µH 23t #24 T37-2**

30 C5, 220 C4, 47 C3, 470 C2, 82 C1, 220  
**L2, 1.0µH 16t #24 T37-2 L1, 0.75µH 14t #24 T37-2**

40 C5, 330 C4, 47 C3, 680 C2, 150 C1, 330  
**L2, 1.2µH 17t #24 T37-2 L1, 0.85µH 15t #24 T37-2**

20 C5, 220 C4, 27 C3, 470 C2, 68 C1, 220  
**L2, 0.525µH 12t #24 T37-2 L1, 0.475µH 11t #24 T37-2**